

FEATURES

- The mixer is used with size tank from 120 l to 1000 l.
- The gear box (lubrication free) is coupled to the tank fixing flange.
- The main axis is made in stainless steel and covered in PVC.
- The seal against chemical vapour is a Fluorocarbon rotary seal inserted between the flange and the PVC cover of the shaft. This protects the gear box and the motor from chemical vapour.

EMEC supplies MIX with three different speeds: 65 RPM, 200 RPM and 1400 RPM.

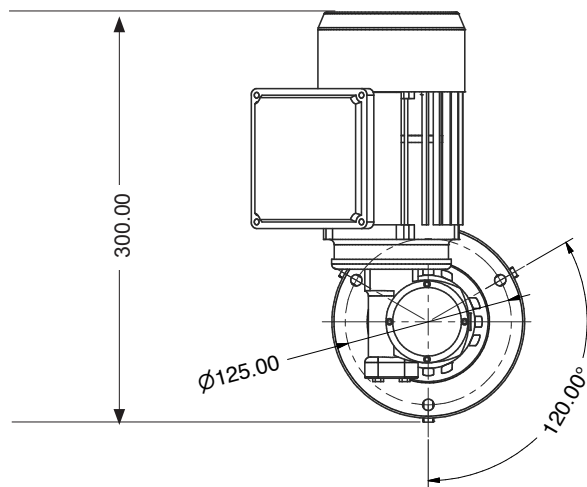
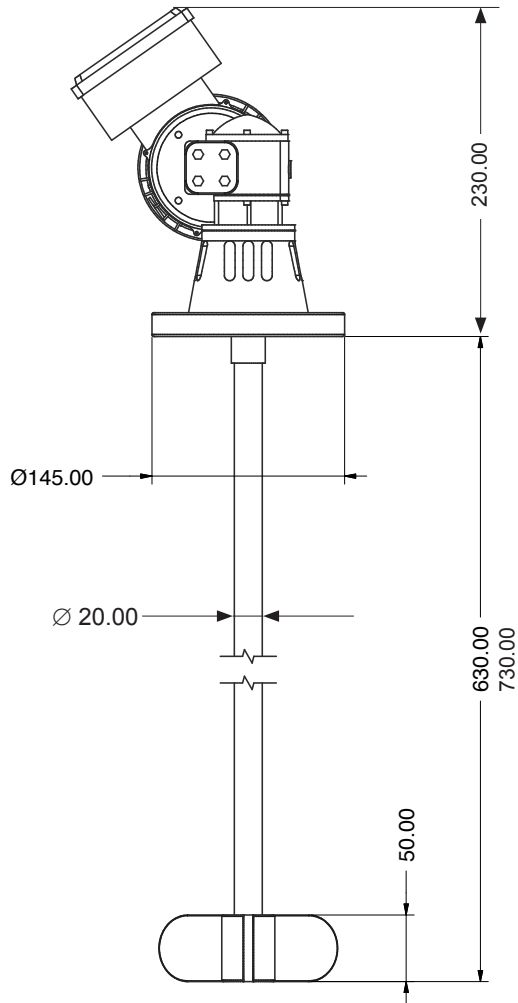
The MIX shaft length can be customized to fit different size tanks.

SPECIFICATIONS

MODELS	Rated power (kW)	Rotation speed (rpm) ¹	Height (mm) ¹	Tank	Impeller	Impeller diameter (mm)	Weight (Kg)
MIXN8-MON	0,09	65 or 200	630	CNT PD 120	3 blade	150	7.00
			730	CNT PD 250			
MIXN8-TRI	0,09	65 or 200	630	CNT PD 120	3 blade	150	6.55
			730	CNT PD 250			
MIXVN8-MON	0,09	1400	630	CNT PD 120	marine	70	5.50
			730	CNT PD 250			
MIXVN8-TRI	0,09	1400	630	CNT PD 120	marine	70	5.30
			730	CNT PD 250			
MIXN4-MON	0,18	65 or 200 or 400	730	CNT PD 250	3 blade	150	11.00
			980	CNT PD 500			
			1100	CNT PD 1000			
MIXN4-TRI	0,18	65 or 200 or 400	730	CNT PD 250	3 blade	150	9.50
			980	CNT PD 500			
			1100	CNT PD 1000			
MIXVN4-MON	0,18	1400	730	CNT PD 250	marine	90	8.00
			980	CNT PD 500			
MIXVN4-TRI	0,18	1400	730	CNT PD 250	marine	90	8.00
			980	CNT PD 500			
MIXVN2-MON	0,37	1400	730	CNT PD 250	marine	90	12.00
			980	CNT PD 500			
			1100	CNT PD 1000			
MIXVN2-TRI	0,37	1400	730	CNT PD 250	marine	90	10.50
			980	CNT PD 500			
			1100	CNT PD 1000			
MIXN2-MON	0,37	65 or 200 or 400	1100	CNT PD 1000	4 blade	150	16.00
MIXN2-TRI	0,37	65 or 200 or 400	1100	CNT PD 1000	4 blade	150	14.50

DIMENSION (mm)

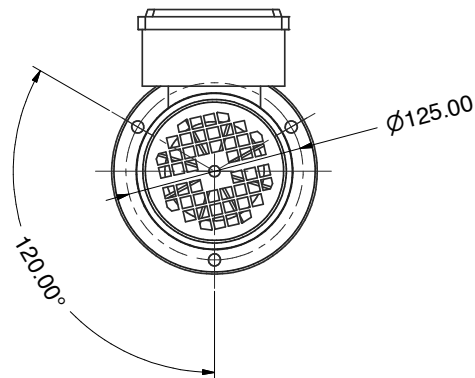
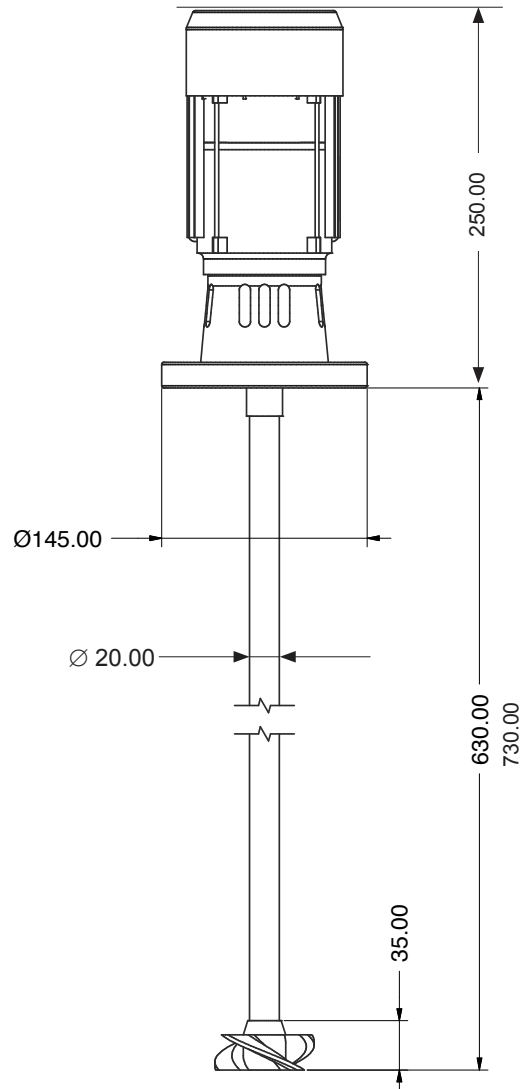
MIXN8-MON
MIXN8-TRI



DIMENSION (mm)

MIXVN8-MON

MIXVN8-TRI



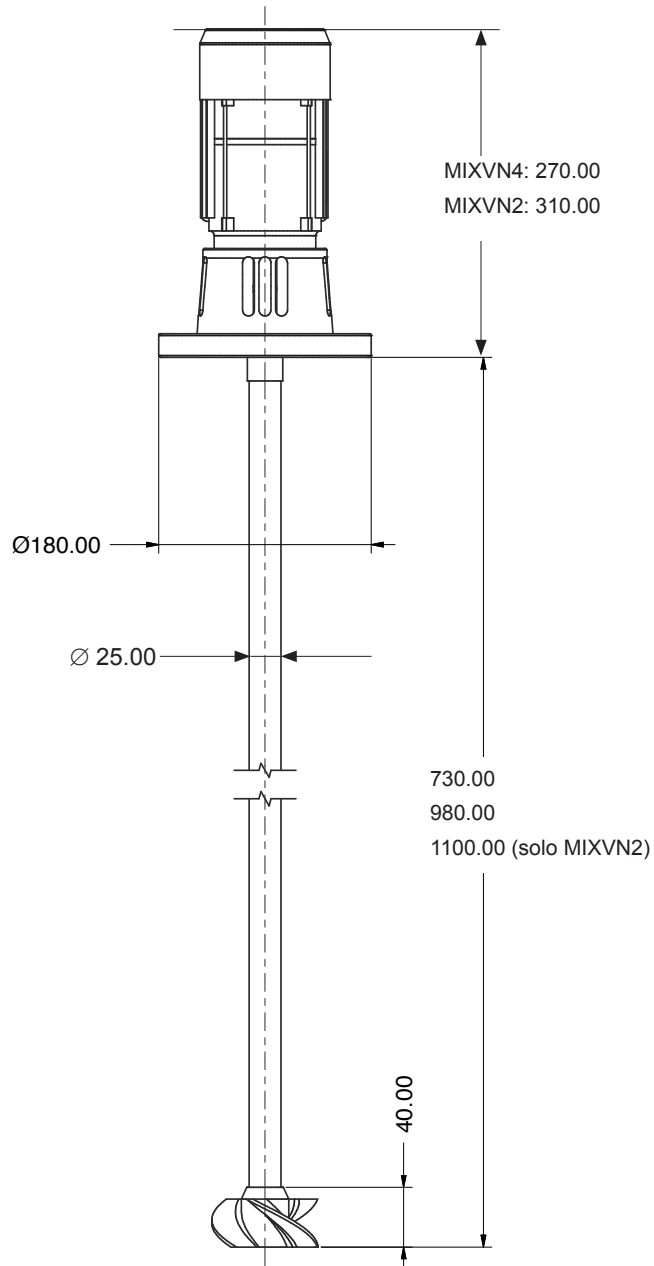
DIMENSION (mm)

MIXVN4-MON

MIXVN4-TRI

MIXVN2-MON

MIXVN2-TRI



DIMENSION (mm)

MIXN2-MON

MIXN2-TRI

MIXN4-MON

MIXN4-TRI

